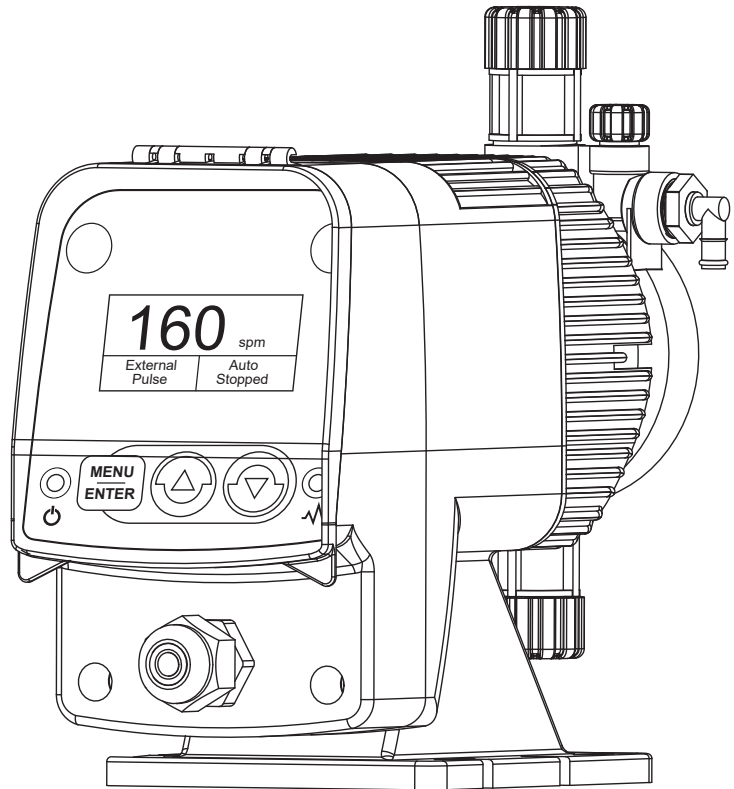


MicroLinx Series L

Electronic Metering Pump

***Digitally
Accurate
Speed
Adjustment***



Key Features

- NEMA 4X Style Enclosure
- Guided Double Ball Checks
- Circuit Voltage Protection
- Thermal Overload Protection
- Priming / Degassing Valve
- Large Graphic Display & Programmable Keypad
- Wi-Fi Linx Programmable
- 2-Year Warranty

Application

MicroLinx Series L pumps provide a reliable, affordable product addition for a wide variety of applications.

Precise metering is achieved with guided double ball checks, including foot and injection assemblies.

Standard operation modes include:

- Manual
- 4-20 mA Input
- Multiply Pulses
- Divide Pulses
- 28-Day Timer
- Batch Timer
- Pulse Timer
- Recycle Timer

Build a Model

Model L _ _ _ _ - _ _ _ _

Build your model number by selecting one code from each step. Example: L30X1-KFC1

Step 1.....Output (Maximum)

- 05 = 5 GPD (18.9 LPD) at 300 PSI (20.6 bar)
- 12 = 12 GPD (45.4 LPD) at 250 PSI (17.2 bar)
- 15 = 15 GPD (56.7 LPD) at 150 PSI (10.3 bar)
- 30 = 30 GPD (113.5 LPD) at 100 PSI (6.8 bar)
- 45 = 45 GPD (170.3 LPD) at 75 PSI (5.1 bar)

Step 2.....Control Options

- X = Standard Control

Step 3 ... Voltage

- 1 = 120 VAC, USA plug and agency approvals
- 2 = 120-220 VAC, no plug

Step 4 ... Head & Fittings, Seat & Ball

- KFC = Kynar, Teflon, ceramic
- KHC = Kynar, hypalon, ceramic
- KVC = Kynar, viton, ceramic
- DVC = Kynar (degassing), viton, ceramic
- SFSP = Stainless, Teflon, stainless, 1/4" MNPT

Notes:

1. Degassing heads are only available on 150, 100, and 75 PSI models.
2. S-head option only comes with Teflon seat and SS ball, and does not include a foot or injection valve or any tubing.

Step 5 ... Connections (PVDF only)

- 1 = 3/8" tubing rated to 200 PSI (13.7 bar)
- 2 = 1/4" tubing rated to 300 PSI (20.6 bar)
- 4 = 1/4" black UV tubing rated to 300 PSI (20.6 bar)
- R = 1/4" FNPT
- U = 3/8" black UV tubing rated to 200 PSI (13.7 bar)
- V = 3/8" tubing rated to 200 PSI (13.7 bar), clear suction

Note: Tubing selection may impact pump rating.

For other options, see Price List or consult factory.

Accessories

PVDF models include everything for start-up: injection, foot and priming valve assemblies, plus suction, discharge, and prime tubing.

Visit www.advantagecontrols.com for a full listing of additional accessories including: mounting brackets, solution tanks, pump enclosures, timers, and more.

Specifications

Electrical

- **Input** - 110 VAC or 240 VAC @ 50/60 Hz

Operational

- **Manual** - Set speed rate from 1-12,000 strokes/hr.
- **Mult/Div** - Externally paced speed based pulse inputs with max/hr.
- **mA In** - Externally paced speed based on mA input.
- **Timers** - Choose from Batch, Pulse, Recycle or 28-Day timer.

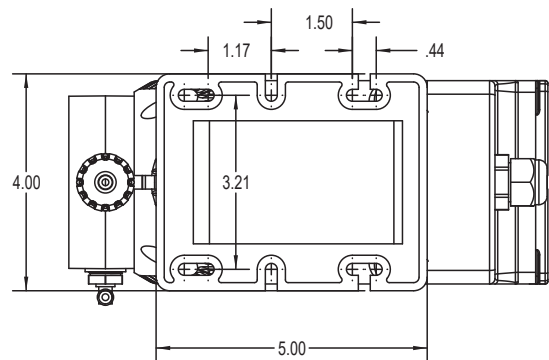
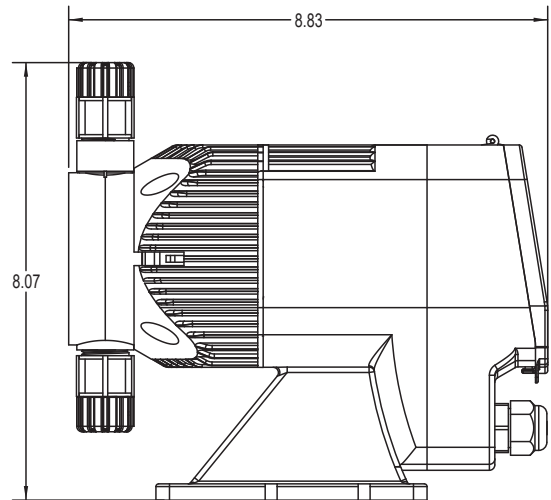
Enclosure

Heavy duty NEMA 4X style high impact thermoplastic with clear lexan cover.

Environment

- **Max temperature** - 122°F (50°C)
- **Relative humidity** - 0 to 85%

Shipping Weight: Approx. 10 lbs. (4.536 kg)



Kynar Head Shown

Get the Advantage



4700 Harold-Abitz Dr
Muskogee, OK 74403
800-743-7431 Phone
888-686-6212 Fax
www.advantagecontrols.com